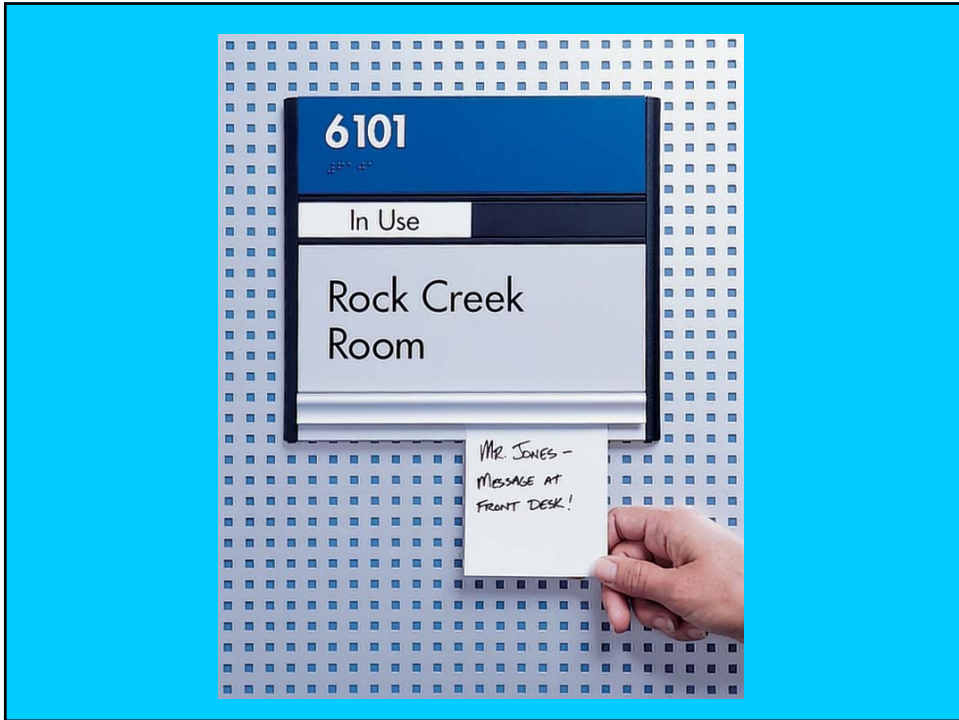


# Permanent Rooms and Spaces: Accessible Signage

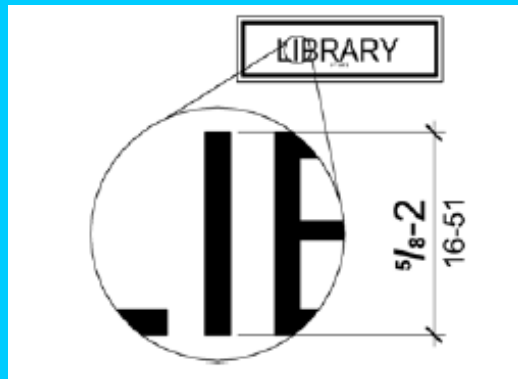
Mark Derry  
Eastlake, Derry and Associates  
June 20, 2006



Accessible signs are available in many styles



## ADA/ABAAG Figure 703.2.5 Height of Raised Characters



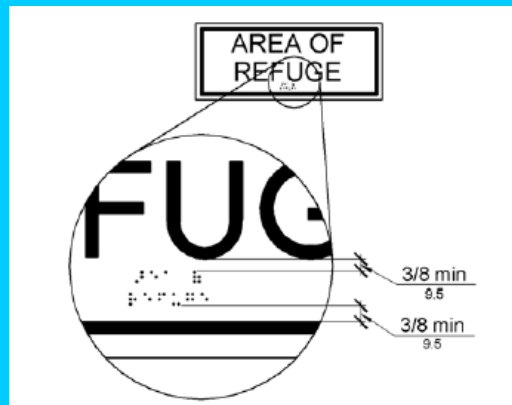
### 703.2.1 Depth

Raised characters shall be 1/32 inch minimum above their background



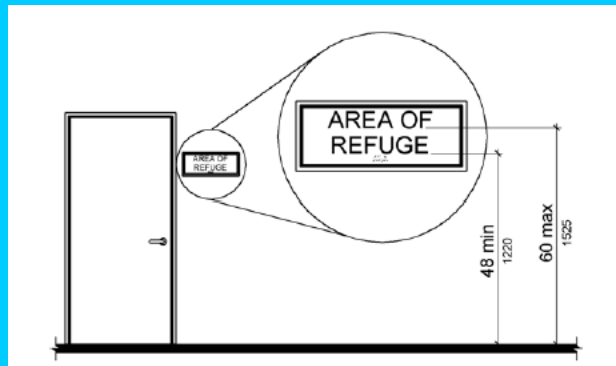


**Figure 703.3.2**  
Position of Braille

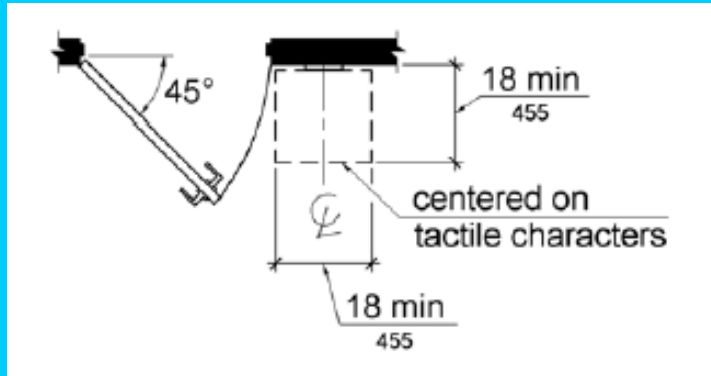




**Figure 703.4.1**  
Height of Tactile Characters Above  
Finish Floor or Ground

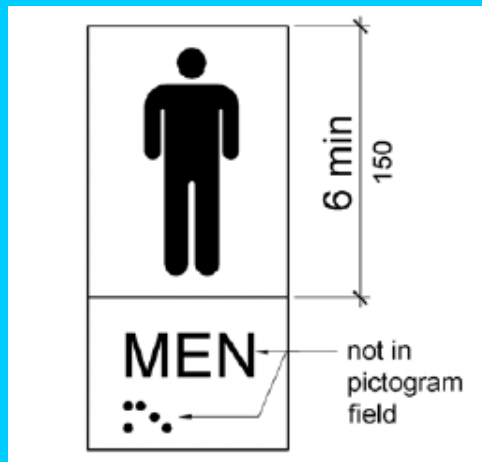


## Figure 703.4.2 Location of Tactile Signs at Doors





**Figure 703.6.1**  
Pictogram Field



**Figure 703.7.2.1**  
International Symbol of  
Accessibility



**Figure 703.7.2.2**  
International Symbol of TTY





**Figure 703.7.2.3**  
Volume Control Telephone



**Figure 703.7.2.4**  
International Symbol of Access for  
Hearing Loss



# 703.5.5 Visual Character Height

703.5.5 Visual Character Height		
Height to Finish Floor or Ground From Baseline of Character	Horizontal Viewing Distance	Minimum Character Height
40 inches (1015 mm) to less than or equal to 70 inches (1780 mm)	less than 72 inches (1830 mm)	5/8 inch (16 mm)
	72 inches (1830 mm) and greater	5/8 inch (16 mm), plus 1/8 inch (3.2 mm) per foot (305 mm) of viewing distance above 72 inches (1830 mm)
Greater than 70 inches (1780 mm) to less than or equal to 120 inches (3050 mm)	less than 180 inches (4570 mm)	2 inches (51 mm)
	180 inches (4570 mm) and greater	2 inches (51 mm), plus 1/8 inch (3.2 mm) per foot (305 mm) of viewing distance above 180 inches (4570 mm)
greater than 120 inches (3050 mm)	less than 21 feet (6400 mm)	3 inches (75 mm)
	21 feet (6400 mm) and greater	3 inches (75 mm), plus 1/8 inch (3.2 mm) per foot (305 mm) of viewing distance above 21 feet (6400 mm)